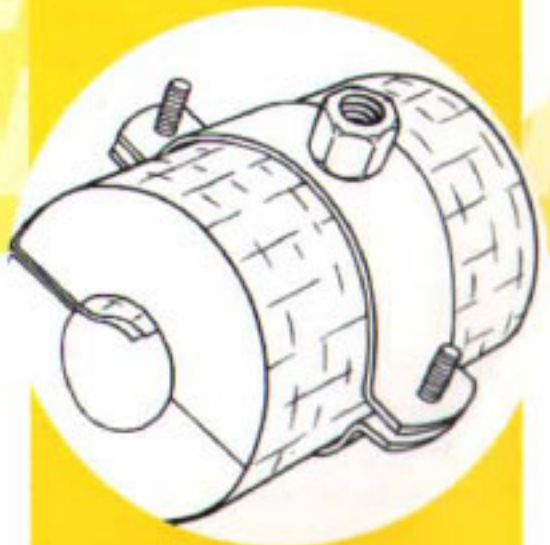
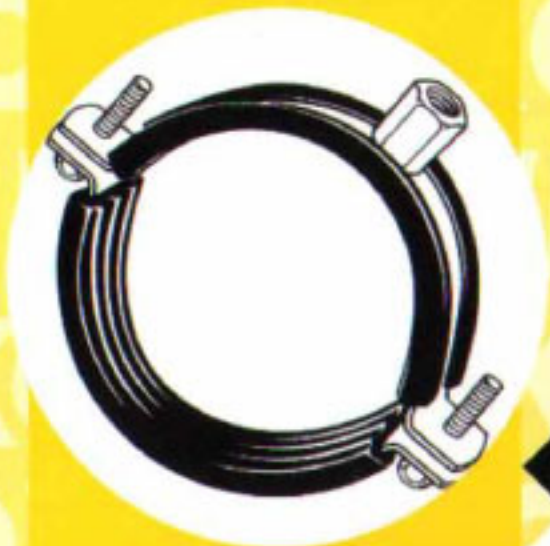
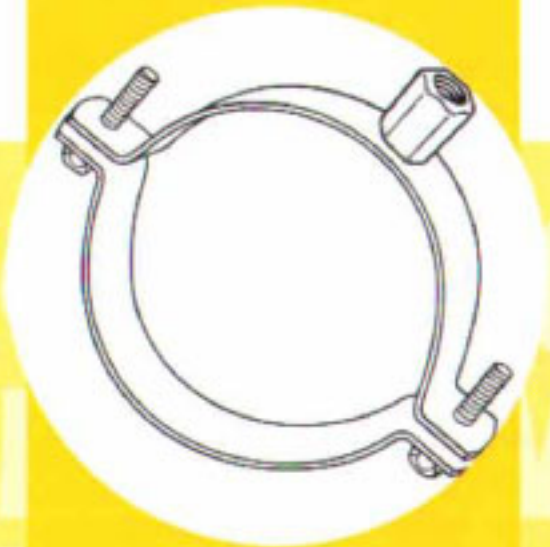


# **QWIKLINE**

## Pipe Supports



Product Range

# Pipework Products

1

QWIKLINE PIPE SUPPORT SYSTEM - QWIK CLAMPS - LINED

2

ZV PIPE SUPPORT SYSTEM - QWIK CLAMPS - UNLINED

3

QWIKLINE PIPE SUPPORT SYSTEM - QWIK CLIPS AND HEAVY DUTY CLAMPS

4

QWIKLINE PIPE SUPPORT SYSTEM - DOUBLE CLAMPS

5

QWIKLINE PIPE SUPPORT SYSTEM - STAINLESS STEEL CLAMPS

6

QWIKPHEN - PHENOLIC INSULATION BLOCKS AND QWIKCLAMPS

7

QWIKPHEN - PHENOLIC INSULATION BLOCKS AND SIKLA CLAMPS

8

QWIKLINE PIPE SUPPORT SYSTEM ACCESSORIES

9

SIKLA PIPE CLAMPS - UNLINED

10

SIKLA PIPE CLAMPS - LINED

11

SIKLA PIPE SLIDES

12

PIPE CLIPS, PIPE SADDLES, PIPE GUIDES, SPLIT BAND CLIPS

13

FILBOW CLIPS, ROLLER CHAIR AND GUIDE ASSEMBLIES, BACKPLATES

14

MALLEABLE IRON PIPE CLIPS AND PIPE RINGS

15

CAST BRASS PIPE CLIPS, BRACKETS AND PIPE RINGS

16

RPC CLIPS

17

PLASTIC PIPE CLIPS, SPACER BLOCKS, PIPE COVERS, PLUMBERS SOLDERING MATS

18

TALON PIPE CLIPS, SPACERS, COVER & ACCESSORIES

19

DEKTITE PIPE FLASHINGS - MINI FLASHING, SOAKER AND RETROFIT

# QWIKLINE Pipe Support System



BZP 2 piece dual tapped clamps, with EPDM rubber lining.

LINED



## TECHNICAL DATA

- Boss – dual tapped M8/M10
- Lining – EPDM rubber giving sound protection for DIN 4109
  - Noise reduction of 18dba
  - Temperature resistance -40°C – +110°C
- Material – 20 x 2mm upto 90mm then 20 x 2.5mm
- Finish – Electro galvanised steel
- Fixing – M6 x 20 screws with plastic retaining washers
- Loading – Breaking load in traction – 800kgs
  - Safe working load in traction – 200kgs

PRODUCT CODE	MF CODE	OUTSIDE DIA RANGE MM	COPPER SIZE MM	NORMAL BORE	BOX/PACK QTY
QL018	1101018	15-19	15	1/2"	50/500
QL022	1101022	20-25	22	3/4"	50/500
QL028	1101028	25-30	28	1"	50/400
QL035	1101035	32-38	35	1 1/4"	50/300
QL040	1101040	37-43	42	1 1/2"	25/250
QL048	1101048	47-51	48	1 3/4"	25/200
QL054	1101054	52-56	54		25/200
QL060	1101060	60-64		2"	25/150
QL070	1101070	67-72	67		25/150
QL075	1101075	73-80	76	2 1/2"	25/100
QL083	1101083	81-86			25/100
QL090	1101090	87-92		3"	25/100
QL100	1101100	99-105		3 1/2"	25/100
QL110	1101110	107-112	108		25/50
QL115	1101115	113-118		4"	25/50
QL125	1101125	125-130			25/50
QL133	1101133	132-137	133		25/50
QL140	1101140	138-142		5"	25/50
QL150	1101150	148-152			25/50
QL160	1101160	159-166	159		25/50
QL168	1101168	168-172		6"	25
QL180	1101180	179-184			25
QL200	1101200	199-205			25
QL220	1101220	215-220		8"	25
QL225	1101225	223-228			25
QL250	1101250	249-254			25
QL300	1101300	299-304			25
QL315	1101315	314-319			25
QL355	1101355	354-359			25
QL400	1101400	399-404			25
QL450	1101450	449-454			10
QL500	1101500	499-504			10

# QWIKLINE Pipe Support System



UNLINED



## TECHNICAL DATA

- Boss – dual tapped M8/M10
- Material – 20 x 2mm upto 90mm then 20 x 2.5mm
- Finish – Electro galvanised steel
- Fixing – M6 x 20 screws with plastic retaining washers
- Loading – Breaking load in traction – 600kgs  
– Safe working load in traction – 200kgs

BZP 2 piece dual tapped clamps.

PRODUCT CODE	MF CODE	OUTSIDE DIA RANGE MM	COPPER SIZE MM	NORMAL BORE	BOX/PACK QTY
QU018	1105018	15-19		1/8"	50/800
QU022	1105022	20-25		1/4"	50/800
QU028	1105028	26-30		3/8"	50/500
QU035	1105035	32-36		1"	50/500
QU040	1105040	38-43		1 1/4"	25/300
QU048	1105048	47-51		1 1/2"	25/250
QU054	1105054	53-56			25/250
QU060	1105060	60-64		2"	25/250
QU070	1105070	68-72			25/200
QU075	1105075	75-80		2 1/2"	25/200
QU083	1105083	81-86			25/150
QU090	1105090	87-92		3"	25/150
QU100	1105100	99-105		3 1/2"	25/100
QU110	1105110	107-112			25/100
QU115	1105115	113-118		4"	25/100
QU125	1105125	125-130			25/100
QU133	1105133	132-137			25/50
QU140	1105140	138-142		5"	25/50
QU150	1105150	148-152			25/50
QU160	1105160	159-166	159		25/50
QU168	1105168	168-172		6"	25/50
QU180	1105180	179-184			25/50
QU200	1105200	199-207			25
QU220	1105220	215-220		8"	25
QU225	1105225	223-228			25
QU250	1105250	249-254			25
QU300	1105300	299-304			25
QU315	1105315	314-319			25
QU355	1105355	354-359			25
QU400	1105400	399-404			25
QU450	1105450	449-454			10
QU500	1105500	499-504			10

BZP hinged clip with dual tapped boss and EPDM rubber lining.



PRODUCT CODE	MF CODE	OUTSIDE DIA RANGE MM	COPPER SIZE MM	NORMAL BORE	BOX/PACK QTY
QH015	1107015	14-15	15	1/4"	50/800
QH018	1107018	16-18		1/2"	50/500
QH022	1107022	20-22	22	3/8"	50/500
QH025	1107025	25-27		1/4"	50/400
QH028	1107028	28-30	28		50/400
QH035	1107035	33-35	35	1"	25/400
QH042	1107042	42-44	42	1 1/4"	25/250
QH048	1107048	48-50		1 1/2"	25/200
QH054	1107054	52-54	54		25/200
QH063	1107063	60-65		2"	25/150

## TECHNICAL DATA

- Boss – dual tapped M5/M10
- Finish – Electro galvanised steel 20 X 1.5mm
- Lining – EPDM rubber giving sound protection for DIN 4109
- Noise reduction of 18dba
- Temperature resistance -40°C – +110°C
- Fixing – M5 x 22 screws with part plain shank for retention on clip
- Loading – Breaking load in traction – 250kgs
- Safe working load in traction – 80kgs



BZP 2 piece dual tapped boss clamp with EPDM rubber lining.

PRODUCT CODE	MF CODE	OUTSIDE DIA RANGE MM	COPPER SIZE MM	NORMAL BORE	BOX/PACK QTY
QLX 075	1112075	75-80	76	2 1/2"	25/100
QLX090	1112090	87-92		3"	25/50
QLX100	1112100	99-105		3 1/2"	25/50
QLX110	1112110	107-112	108		25/50
QLX115	1112115	113-118		4"	25/50
QLX125	1112125	125-130			25/50
QLX140	1112140	138-142		5"	25/50
QLX160	1112160	159-166	159		25
QLX200	1112200	200-212			25
QLX220	1112220	215-220		8"	25

LINED



## TECHNICAL DATA

for both clamps illustrated

- Boss – dual tapped M10/M12
- Finish – Electro galvanised steel 30 x 2mm
- Lining – EPDM rubber giving sound protection for DIN 4109
- Noise reduction of 18dba
- Temperature resistance -40°C – +110°C
- Fixing – M8 x 20 screws
- Loading – Breaking load in traction – 1000kgs
- Safe working load in traction – 300kgs

UNLINED



BZP 2 piece dual tapped clamps.

PRODUCT CODE	MF CODE	OUTSIDE DIA RANGE MM	NORMAL BORE	BOX/PACK QTY
QUX 075	1114075	75-80	2 1/2"	25/150
QUX090	1114090	87-92	3"	25/100
QUX100	1114100	99-105	3 1/2"	25/100
QUX110	1114110	107-112		25/50
QUX115	1114115	113-118	4"	25/50
QUX125	1114125	125-130		25/50
QUX140	1114140	138-142	5"	25/50
QUX160	1114160	159-166		25
QUX200	1114200	200-212		25
QUX220	1114220	215-220	8"	25

# OWIKLINE Pipe Support System



LINED



DOUBLE BOSSED

## TECHNICAL DATA

for both clamps illustrated

- Boss – dual tapped M8/M10
- Lining – EPDM rubber giving sound protection for DIN 4109
  - Noise reduction of 18dbs
  - Temperature resistance -40°C – +110°C
- Material – 20 x 2mm upto 90mm then 20 x 2.5mm
- Finish – Electro galvanized steel
- Fixing – M8 x 20 screws with plastic retaining washers
- Loading – Breaking load in traction – 600kgs
  - Safe working load in traction – 200kgs
  - If 2 or more clamps are suspended below each other the safe working load of all the clamps must not exceed 200kgs



UNLINED



DOUBLE BOSSED

BZP 2 piece dual tapped clamp with EPDM rubber lining.

PRODUCT CODE	MF CODE	OUTSIDE DIA RANGE MM	NORMAL BORE	BOX/PACK QTY
QLD018	1117018	15-18	1/2"	50/500
QLD022	1117022	20-24	3/4"	50/500
QLD028	1117028	26-30	1"	50/400
QLD035	1117035	32-36	1 1/4"	50/400
QLD040	1117040	38-42	1 3/4"	25/250
QLD048	1117048	47-50	2"	25/200
QLD060	1117060	60-64	2 1/2"	25/150
QLD075	1117075	75-80	3"	25/100
QLD090	1117090	85-90	3 1/2"	25/100
QLD100	1117100	100-106	4"	25/50
QLD115	1117115	114-119	4 1/2"	25/50
QLD140	1117140	133-140	5"	25/50
QLD160	1117160	159-165		25/50

BZP 2 piece dual tapped clamp.

PRODUCT CODE	MF CODE	OUTSIDE DIA RANGE MM	NORMAL BORE	BOX/PACK QTY
QUD018	1119018	15-18	1/2"	50/500
QUD022	1119022	20-24	3/4"	50/500
QUD028	1119028	26-30	1"	50/500
QUD035	1119035	32-36	1 1/4"	50/500
QUD040	1119040	38-42	1 3/4"	25/250
QUD048	1119048	47-50	2"	25/250
QUD060	1119060	60-64	2 1/2"	25/200
QUD075	1119075	75-80	3"	25/200
QUD090	1119090	85-90	3 1/2"	25/150
QUD100	1119100	100-106	4"	25/150
QUD115	1119115	114-119	4 1/2"	25/100
QUD140	1119140	133-140	5"	25/50
QUD160	1119160	159-165		25/50

# QWIKLINE Pipe Support System



LINED



**STAINLESS STEEL**

## TECHNICAL DATA

for both clamps illustrated

- Boss – Dual tapped M8/M10
- Lining – EPDM rubber giving sound protection for DIN 4109
- Noise reduction of 18db
- Temperature resistance -40°C – +110°C
- Material – AISI 316/A4 Stainless Steel 20 x 2mm
- Fixing – M6 x 20 screws with plastic retaining washers
- Loading – Breaking load in traction – 600kgs
- Safe working load in traction – 200kgs

AISI 316 Stainless Steel Rubber Lined 2 piece clamps with dual tapped boss M8/M10 and captive M6 x 20 fixing screws. Max safe working load 200kgs.

PRODUCT CODE	MF CODE	OUTSIDE DIA RANGE MM	NORMAL BORE	BOX/PACK QTY
QLSS018	1121018	15-18	1/8"	50/500
QLSS022	1121022	20-24	1/4"	50/500
QLSS028	1121028	26-30	3/8"	50/400
QLSS035	1121035	32-36	1"	50/300
QLSS040	1121040	38-42	1 1/4"	25/250
QLSS048	1121048	47-50	1 1/2"	25/200
QLSS054	1121054	51-55		25/200
QLSS060	1121060	60-64	2"	25/150
QLSS070	1121070	67-73		25/100
QLSS075	1121075	75-80	2 1/2"	25/100
QLSS090	1121090	82-90	3"	25/100
QLSS100	1121100	100-106	3 1/2"	25/100
QLSS110	1121110	106-112		25/50
QLSS115	1121115	114-119	4"	25/50
QLSS125	1121125	124-131		25/50
QLSS140	1121140	133-140	5"	25/50
QLSS160	1121160	159-165		25/50
QLSS200	1121200	199-204		25



UNLINED



**STAINLESS STEEL**

PRODUCT CODE	MF CODE	OUTSIDE DIA RANGE MM	NORMAL BORE	BOX/PACK QTY
QUSS018	1123018	15-18	1/8"	50/500
QUSS022	1123022	20-24	1/4"	50/500
QUSS028	1123028	26-30	3/8"	50/400
QUSS035	1123035	32-36	1"	50/300
QUSS040	1123040	38-42	1 1/4"	25/250
QUSS048	1123048	47-50	1 1/2"	25/200
QUSS054	1123054	51-55		25/200
QUSS060	1123060	60-64	2"	25/150
QUSS070	1123070	67-73		25/100
QUSS075	1123075	75-80	2 1/2"	25/100
QUSS090	1123090	82-90	3"	25/100
QUSS100	1123100	100-106	3 1/2"	25/100
QUSS110	1123110	106-112		25/50
QUSS115	1123115	114-119	4"	25/50
QUSS125	1123125	124-131		25/50
QUSS140	1123140	133-140	5"	25/50
QUSS160	1123160	159-165		25/50
QUSS200	1123200	199-204		25
QUSS220	1123220	215-225	8"	25

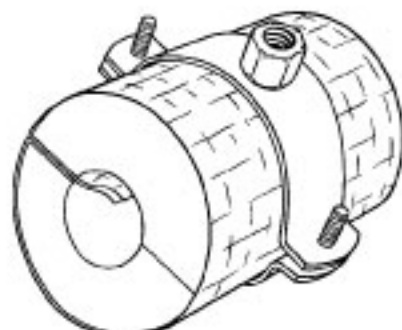
# QWIKLINE Pipe Support System

- Load bearing Phenolic Foam insulation supports with Qwik Clamps
- Effective supports for hot, cold and chilled water pipes

## WITH QWIK CLAMP

### TECHNICAL DATA

- CFC free closed cell phenolic foam
- Insulation density: <159mm OD 80kg/m<sup>3</sup>  
>168mm OD 120kg/m<sup>3</sup>
- Insulation length: <159mm OD 100mm  
>168mm OD 125mm
- Metal spreader plate on all sizes 48mm OD and above
- Class 'D' foil vapour barrier
- Low smoke emission
- Temperature range -180°C to 120°C



INSULATION THICKNESS

15                      20                      25                      30                      40                      50

PRODUCT CODE	COPPER SIZE	STEEL SIZE
--------------	-------------	------------

QPC015**	15	
QPC018**		
QPC022**	22	□2
QPC025**		
QPC028**	28	□4
QPC030**		
QPC035**	35	1
QPC040**		
QPC042**	42	1□4
QPC048**		1□2
QPC050**		
QPC054**	54	
QPC060**		2
QPC063**		
QPC067**	67	
QPC076**	76	2□2
QPC089**		3
QPC108**	108	
QPC114**		4
QPC140**		5
QPC168**		6

call for prices

MF CODES:                      1131\*\*\*                      1132\*\*\*                      1133\*\*\*                      1134\*\*\*                      1135\*\*\*                      1136\*\*\*

\*\* Add insulation thickness to complete product code

\*\*\* Add block size to complete MF code

# QWIKLINE Pipe Support System

- Load bearing Phenolic Foam insulation supports with heavy duty Sikla Pipe Clamps
- Ideal combination for effectively and safely supporting larger pipe sizes
- Technical information : Phenolic Foam see page 5/6  
: Sikla Clamps see page 5/9

## WITH SIKLA CLAMP



PRODUCT CODE	COPPER SIZE	STEEL SIZE	INSULATION THICKNESS					
			15	20	25	30	40	50
QPS076**	76	2 1/2						
QPS089**		3						
QPS108**	108							
QPS114*		4						
QPS140**		5						
QPS168**		6						
QPS219**		8						

Prices of stock items shown in BOLD

\*\* Add insulation thickness to complete product code

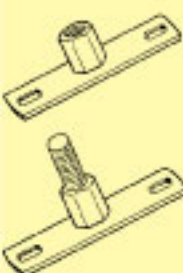
\*\*\* Add block size to complete MF code

- AVAILABLE TO ORDER : WOOD BLOCK PIPE SUPPORTS  
CALCIUM SILICATE PIPE SUPPORTS FOR HIGH TEMPERATURE APPLICATIONS UP TO 1050°C

# QWIKLINE Pipe Support Accessories

## BACKPLATES

- Dual threaded M8/M10



PRODUCT CODE	MF CODE	DESCRIPTION	PACK QTY
QB810	1152151	M8/M10 52P Backplate	100
QBSS810	1152351	M8/M10 Stainless Backplate	100
QB810/B35	1152835	M8 Male Backplate	100

Malleable Backplates see page 5/9

## SHORT STUDS



PRODUCT CODE	MF CODE	BOX QUANTITY
M8 x 35	1163317	100
M8 x 50	1163325	100
M8 x 60	1163330	100
M8 x 80	1163340	100
M8 x 100	1163350	100
M8 x 120	1163354	100
M8 x 150	1163360	100
M10 x 25	1163412	100
M10 x 40	1163420	100
M10 x 50	1163425	100
M10 x 60	1163430	100
M10 x 80	1163440	100
M10 x 100	1163450	100
M10 x 120	1163460	100
M10 x 150	1163475	100

## QWIK DAPTERS



PRODUCT CODE	MF CODE	FEMALE	MALE	BOX QTY
QA0608	1165606	M6	M8	100
QA1008	1165106	M10	M8	100
QA0810	1165081	M8	M10	100
QA1210	1165121	M12	M10	100
QA1012	1165112	M10	M12	100
QA1612	1165161	M16	M12	100
QA1216	1165116	M12	M16	100

## BOLTSCREWS



- M8 use with N10 Nylon Plug
- M10 use with N12 Nylon Plug

PRODUCT CODE	MF CODE	BOX QUANTITY
M8 x 50	1169425	100
M8 x 60	1169430	100
M8 x 80	1169440	100
M8 x 100	1169450	100
M8 x 120	1169460	100
M10 x 80	1169540	100
M10 x 100	1169550	100
M10 x 120	1169560	100

## NOISE REDUCING BUSHES

- For isolating threaded rod up to M10 from support rails
- Noise insulation tested to DIN 4109



PRODUCT CODE	MF CODE	BOX QUANTITY
NRB10	1172010	50

## HANGER ROD SWIVEL

- Allow movement of pipe in all horizontal planes
- Maximum movement 15°
- Allow for height adjustment of pipework



PRODUCT CODE	MF CODE	SIZE	BOX QTY
HRS08	1167008	M8	50
HRS10	1167010	M10	50
HRS12	1167012	M12	50

## LINK EYES



- For connecting threaded rod to split band clips
- Allow for height adjustment of pipework

PRODUCT CODE	MF CODE	INTERNAL WIDTH
M10	1171010	16mm
M12	1171012	22mm
M16*	1171016	30mm

\* Heavy Duty

## THREADED LINK EYES



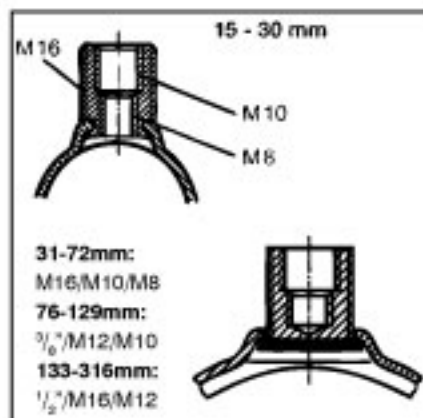
- Heavy duty cast link eyes

PRODUCT CODE	MF CODE	BOX QTY
M10	1171410	100
M12	1171412	50

# Sikla Pipe Clamps

- Heavy Duty Pipe Clamps with high strength welded and form locked thread connections
- Thread connections are multiple sized for wide choice of attachment options, extended further with adaptor pieces
- Can be suspended underneath one another using 3G thread connectors (on 1"NB and above)

## STABIL D-3G UNLINED



### Technical Data

Size [mm]	Working load (tension)
15 - 72	4.0 kN
76 - 129	5.0 kN
133 - 173	8.0 kN
176 - 316	12.5 kN

PRODUCT CODE	MF CODE	OUTSIDE DIA RANGE MM	NOMINAL BORE	MATERIAL SIZE	THREAD CONNECTION	BOX QTY
SKU018	1181018	15-19	1/4	25 X 2.0	M16 / M10 / M8	50
SKU022	1181022	20-24	1/2	25 X 2.0	M16 / M10 / M8	50
SKU028	1181028	25-30	3/4	25 X 2.0	M16 / M10 / M8	50
SKU035	1181035	31-35	1	30 X 2.5	M16 / M10 / M8	50
SKU040	1181040	40-45	1 1/4	30 X 2.5	M16 / M10 / M8	50
SKU048	1181048	48-53	1 1/2	30 X 2.5	M16 / M10 / M8	50
SKU054	1181054	54-59		30 X 2.5	M16 / M10 / M8	50
SKU060	1181060	60-65	2	30 X 2.5	M16 / M10 / M8	50
SKU070	1181070	67-72		30 X 2.5	M16 / M10 / M8	50
SKU076	1181076	76-81	2 1/2	30 X 3.0	3/8 / M12 / M10	25
SKU083	1181083	82-87		30 X 3.0	3/8 / M12 / M10	25
SKU090	1181090	88-93	3	30 X 3.0	3/8 / M12 / M10	25
SKU105	1181105	102-108		30 X 3.0	3/8 / M12 / M10	25
SKU115	1181115	110-116	4	30 X 3.0	3/8 / M12 / M10	25
SKU125	1181125	124-129		30 X 3.0	3/8 / M12 / M10	25
SKU133	1181133	133-140		40 X 4.0	1/2 / M16 / M12	10
SKU140	1181140	140-148	5	40 X 4.0	1/2 / M16 / M12	10
SKU150	1181150	149-155		40 X 4.0	1/2 / M16 / M12	10
SKU160	1181160	159-165		40 X 4.0	1/2 / M16 / M12	10
SKU168	1181168	167-173	6	40 X 4.0	1/2 / M16 / M12	10
SKU180	1181180	176-184		40 X 4.0	1/2 / M16 / M12	10
SKU190	1181190	188-194		40 X 4.0	1/2 / M16 / M12	10
SKU200	1181200	199-205		40 X 4.0	1/2 / M16 / M12	10
SKU210	1181210	207-216		40 X 4.0	1/2 / M16 / M12	10
SKU220	1181220	219-225	8	40 X 4.0	1/2 / M16 / M12	10
SKU250	1181250	244-250		40 X 4.0	1/2 / M16 / M12	10
SKU270	1181270	267-273	10	40 X 4.0	1/2 / M16 / M12	10
SKU280	1181280	278-284		40 X 4.0	1/2 / M16 / M12	10
SKU300	1181300	297-303		40 X 4.0	1/2 / M16 / M12	10

## CONNECTORS/ ADAPTORS/ NIPPLING



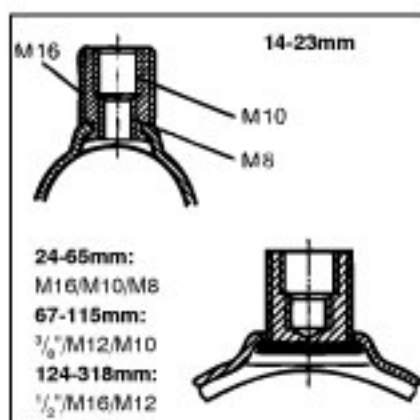
- Thread connectors for suspending Pipe Clamps underneath one another
- Adaptors for making additional attachment options
- Nipping for hanging, supporting and connecting components

PRODUCT CODE	MF CODE	SIZE	DESCRIPTION	BOX QTY
NT 3G	1168326	M16 / M10 / M8	Thread Connectors	50
AD 16 / 16	1168290	M16 / M16	Adaptors	50
AD 3/8 / 16	1168335	3/8 / M16	Adaptors	25
AD 1/2 / 16	1168656	1/2 / M16	Adaptors	25
AD 1/2 / 3/8	1168344	1/2 / 3/8	Adaptors	25
AD 1/2 / 1/2	1168380	1/2 / 1/2	Adaptors	10
NP 1/2 x 1	1168121	1/2 x 1m	Nipping	1

# SIKLA PIPE CLAMPS

## STABIL D-3G LINED

• EPDM lined version of Stabil D-3G



PRODUCT CODE	MF CODE	OUTSIDE DIA RANGE MM	NOMINAL BORE	MATERIAL SIZE	THREAD CONNECTION	BOX QTY
SKL018	1183018	14-18	3/8	25 X 2.0	M16 / M10 / M8	50
SKL022	1183022	19-23	1/2	25 X 2.0	M16 / M10 / M8	50
SKL028	1183028	24-28	3/4	30 X 2.5	M16 / M10 / M8	50
SKL032	1183032	29-33	1	30 X 2.5	M16 / M10 / M8	50
SKL035	1183035	33-37		30 X 2.5	M16 / M10 / M8	50
SKL040	1183040	40-45	1 1/4	30 X 2.5	M16 / M10 / M8	50
SKL048	1183048	47-52	1 1/2	30 X 2.5	M16 / M10 / M8	50
SKL054	1183054	53-58		30 X 2.5	M16 / M10 / M8	50
SKL060	1183060	60-65	2	30 X 2.5	M16 / M10 / M8	50
SKL070	1183070	67-72		30 X 3.0	3/8" / M12 / M10	25
SKL075	1183075	73-78	2 1/4	30 X 3.0	3/8" / M12 / M10	25
SKL083	1183083	79-85		30 X 3.0	3/8" / M12 / M10	25
SKL090	1183090	86-93	3	30 X 3.0	3/8" / M12 / M10	25
SKL106	1183105	100-106		30 X 3.0	3/8" / M12 / M10	25
SKL115	1183115	108-115	4	30 X 3.0	3/8" / M12 / M10	25
SKL125	1183125	124-129		40 X 4.0	1/2" / M16 / M12	10
SKL133	1183133	131-137		40 X 4.0	1/2" / M16 / M12	10
SKL140	1183140	138-144	5	40 X 4.0	1/2" / M16 / M12	10
SKL150	1183150	148-154		40 X 4.0	1/2" / M16 / M12	10
SKL160	1183160	156-162		40 X 4.0	1/2" / M16 / M12	10
SKL168	1183168	165-171	6	40 X 4.0	1/2" / M16 / M12	10
SKL180	1183180	177-183		40 X 4.0	1/2" / M16 / M12	10
SKL190	1183190	185-194		40 X 4.0	1/2" / M16 / M12	10
SKL200	1183200	196-203		40 X 4.0	1/2" / M16 / M12	10
SKL210	1183210	205-214		40 X 4.0	1/2" / M16 / M12	10
SKL220	1183220	219-225	8	40 X 4.0	1/2" / M16 / M12	10
SKL250	1183250	244-250		40 X 4.0	1/2" / M16 / M12	10
SKL270	1183270	267-273	10	40 X 4.0	1/2" / M16 / M12	10
SKL300	1183300	299-303		40 X 4.0	1/2" / M16 / M12	10

### Technical Data

Size [mm]	Working load (tension)
14 - 65	4.0 kN
67 - 115	5.0 kN
124 - 162	8.0 kN
165 - 318	12.5 kN

# Sikla Pipe Slides

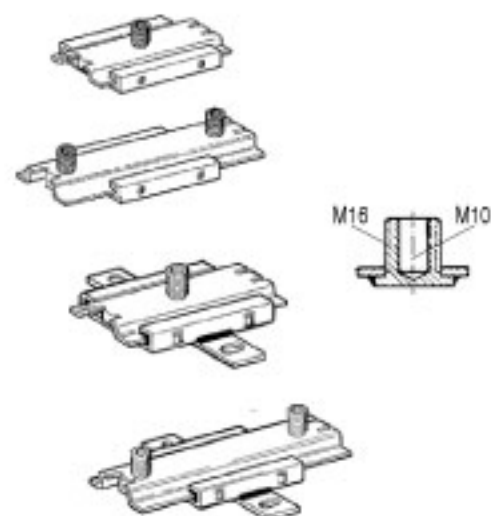
- Slide elements allow for the controlled expansion, contraction and guiding of pipework
- Used in conjunction with Stabil D-30 Pipe Clamps
- Single clamp versions are slides only; double clamp versions are both slides and guides

## 2G MEDIUM DUTY SLIDES

- For pipes 4"NB and below and for all riser applications
- Permissible loads: 0.6kN ceiling mounted / 1.2kN floor mounted
- Versions with side fixings are for mounting directly to building structure

PRODUCT CODE	MF CODE	THREAD CONNECTIONS	MAX. SLIDE DISTANCE
1-2G	1170755	M16 / M10	65mm
2-2G	1170764	M16 / M10	140mm
1-2G/1	1170127	M16 / M10	65mm
2-2G/1	1170136	M16 / M10	140mm

Order of illustrations corresponds with this table



Enquire for Fixed Anchor Points

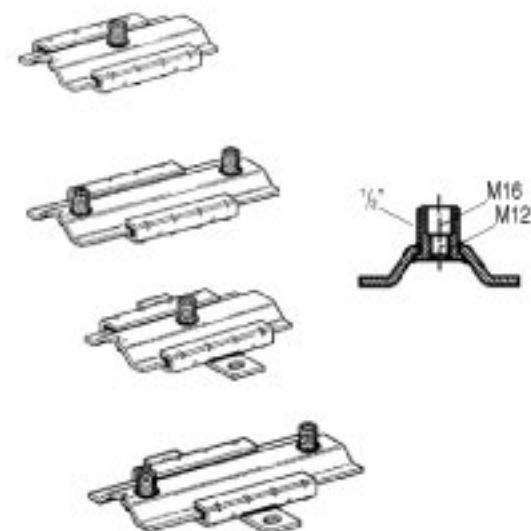


## 3G HEAVY DUTY SLIDES

- For pipes 5"NB and above
- Permissible loads: 5.0kN ceiling mounted / 9.0kN floor mounted
- Versions with side fixings are for mounting directly to building structure

PRODUCT CODE	MF CODE	THREAD CONNECTIONS	MAX. SLIDE DISTANCE
H3G-3	1170295	1/2" / M16 / M12	100mm
H3G	1170700	1/2" / M16 / M12	135mm
H3G-4	1170301	1/2" / M16 / M12	100mm
H3G-1	1170658	1/2" / M16 / M12	135mm

Order of illustrations corresponds with this table



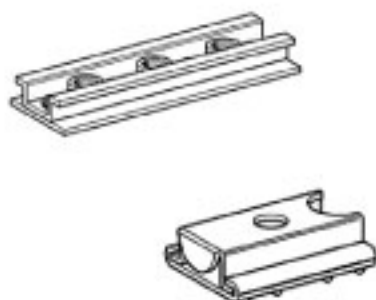
## OTHER PIPE SLIDES

- GS41 Slide element for use in Unistrut channel
- Sliding distance is determined by the length of the channel

PRODUCT CODE	MF CODE	THREAD SIZE
GS41	1170190	M10

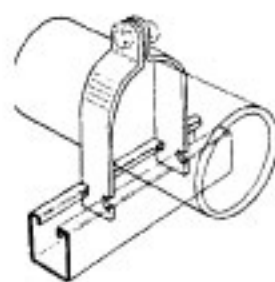
- GS1G Slide set for small scale pipework

PRODUCT CODE	MF CODE	THREAD SIZE
GS1G	1170634	M10



# Pipe Support Products

## PIPE CLIPS - for use with channel



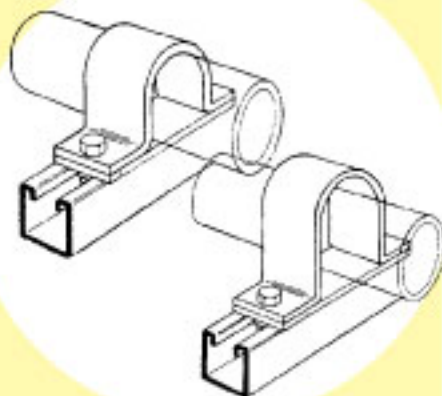
Larger sizes available on enquiry

• Zinc plated for steel pipe - supplied complete with set screw and nut.  
Dimensions refer to minimum and maximum O.D. of pipe to be fixed

PRODUCT CODE	MF CODE	PIPE SIZE MIN. - MAX.
M1109	1201109	10.3 - 12.7 mm
M1111	1201111	13.5 - 14.3
M1112	1201112	14.3 - 18.7
M1113	1201113	15.9 - 18.3
M1115	1201115	19.0 - 21.4
M1116	1201116	21.4 - 25.4
M1117	1201117	25.4 - 27.6
M1118	1201118	27.0 - 30.2
M1120	1201120	31.8 - 35.9
M1121	1201121	34.9 - 39.7
M1122	1201122	39.7 - 42.9
M1123	1201123	42.9 - 46.6
M1124	1201124	46.8 - 50.8
M1126	1201126	52.4 - 58.7
M1127	1201127	58.7 - 63.5
M1128	1201128	63.5 - 68.3
M1129	1201129	68.3 - 73.0
M1130	1201130	73.0 - 79.4

PRODUCT CODE	MF CODE	PIPE SIZE MIN. - MAX.
M1131	1201131	78.2 - 82.6
M1132	1201132	82.6 - 88.1
M1133	1201133	88.1 - 95.2
M1134	1201134	95.2 - 100.0
M1135	1201135	100.0 - 106.4
M1136	1201136	106.4 - 111.1
M1137	1201137	111.1 - 120.7
M1138	1201138	120.7 - 129.4
M1139	1201139	129.4 - 138.1
M1140	1201140	138.1 - 149.2
M1141	1201141	149.2 - 161.9
M1142	1201142	161.9 - 174.6
M1143	1201143	174.6 - 182.6
M1144	1201144	182.6 - 190.5
M1145	1201145	190.5 - 203.2
M1146	1201146	203.2 - 212.7
M1147	1201147	212.7 - 225.4
M1148	1201148	225.4 - 238.1

## PIPE SADDLES



PIPE GUIDES are also available  
- same prices as above but use prefixes PG and PGN to order

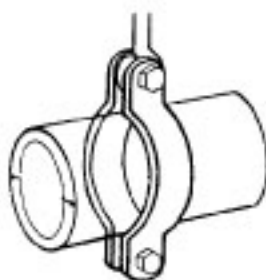
### BZP SADDLES

PRODUCT CODE	MF CODE	PIPE N.B.	PIPE O.D.
PS015	1202015	15mm	21mm
PS020	1202020	20	27
PS025	1202025	25	34
PS032	1202032	32	42
PS040	1202040	40	48
PS050	1202050	50	60
PS065	1202065	65	76
PS080	1202080	80	89
PS100	1202100	100	114
PS125	1202125	125	140
PS150	1202150	150	168
PS175	1202175	175	193
PS200	1202200	200	220
PS250	1202250	250	273
PS300	1202300	300	324

### NYLON COATED C/W POLYSTRIP

PRODUCT CODE	MF CODE	COPPER SIZE
PSN015	1203015	15mm
PSN022	1203022	22
PSN026	1203026	26
PSN035	1203035	35
PSN042	1203042	42
PSN054	1203054	54
PSN067	1203067	67
PSN076	1203076	76
PSN108	1203108	108
PSN133	1203133	122
PSN159	1203159	159

## SPLIT BAND CLIPS



Other sizes and nylon coated available to order.  
Phenolic blocks available see page 5 / 6

PRODUCT CODE	MF CODE	PIPE N.B.	PIPE O.D.
SB021	1204021	15mm	21mm
SB027	1204027	20	27
SB034	1204034	25	34
SB042	1204042	32	42
SB048	1204048	40	48
SB060	1204060	50	60
SB076	1204076	65	76
SB089	1204089	80	89
SB114	1204114	100	114
SB127	1204127		127
SB132	1204132		132
SB140	1204140	125	140
SB152	1204152		152

PRODUCT CODE	MF CODE	PIPE N.B.	PIPE O.D.
SB159	1204159		159
SB168	1204168	150	168
SB172	1204172		172
SB176	1204176		176
SB183	1204183		183
SB193	1204193		193
SB196	1204196		196
SB202	1204202		202
SB216	1204216		216
SB220	1204220	200	220
SB225	1204225		225
SB232	1204232		232
SB273	1204273	250	273

# Pipe Support Products

## FILBOW CLIPS

- For use in fire sprinkler installations
- FM & LPC approvals



PRODUCT CODE	MF CODE	PIPE N.B.
SH025	1206025	25mm
SH032	1206032	32
SH040	1206040	40
SH050	1206050	50
SH065	1206065	65
SH080	1206080	80
SH100	1206100	100
SH150	1206150	150
SH200	1206200	200

## ROLLER CHAIR & GUIDE ASSEMBLIES

- For pipes up to 2"

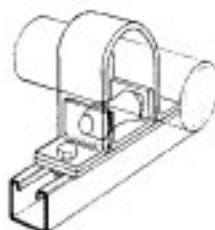


FOR STEEL PIPES		
PRODUCT CODE	MF CODE	PIPE SIZE
RCG015	1207015	15mm
RCG020	1207020	20
RCG025	1207025	25
RCG032	1207032	32
RCG040	1207040	40
RCG050	1207050	50

FOR COPPER PIPES		
PRODUCT CODE	MF CODE	PIPE SIZE
RCGN015	1208015	15
RCGN022	1208022	22
RCGN028	1208028	28
RCGN035	1208035	35
RCGN042	1208042	42
RCGN054	1208054	54

## ROLLER CHAIR & GUIDE ASSEMBLIES

- For pipes over 2"

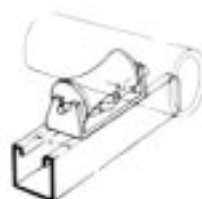


FOR STEEL PIPES		
PRODUCT CODE	MF CODE	PIPE SIZE
HRCG065	1207065	65mm
HRCG080	1207080	80
HRCG100	1207100	100
HRCG125	1207125	125
HRCG150	1207150	150
HRCG175	1207175	175
HRCG200	1207200	200

FOR COPPER PIPES		
PRODUCT CODE	MF CODE	PIPE SIZE
HRCGN067	1208067	67
HRCGN076	1208076	76
HRCGN108	1208108	108

## ROLLER ASSEMBLIES

- Standard material is cast iron - BZP



PRODUCT CODE	MF CODE	FOR PIPES UP TO
RA 075	1209075	75mm
RA 100	1209100	100
RA 180	1209180	180
RA 254	1209254	254

## MALLEABLE BACKPLATES



PRODUCT CODE	MF CODE	MATERIAL
M8	1211008	Malleable
M10	1211010	-
M12	1211012	-
1/2 bep	1211212	-

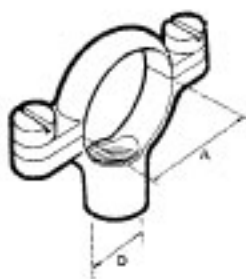
# Malleable Pipe Clips & Rings

## MALLEABLE SCREW-ON PIPE CLIPS



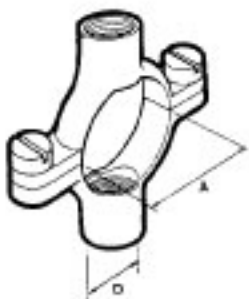
Galvanised available to order

## MALLEABLE SINGLE PIPE RING



Galvanised available to order

## MALLEABLE DOUBLE PIPE RINGS



Galvanised available to order

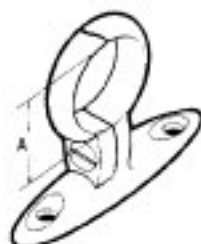
PRODUCT CODE	MF CODE	NOMINAL BORE SIZE	SCREW GAUGE 'D'
MPC 015	1221015	3/8" / 15mm	8
MPC 020	1221020	1/2" / 20mm	8
MPC 025	1221025	1" / 25mm	8
MPC 032	1221032	1 1/4" / 32mm	10/12
MPC 040	1221040	1 1/2" / 40mm	10/12
MPC 050	1221050	2" / 50mm	10/12
MPC 065	1221065	2 1/2" / 65mm	12
MPC 080	1221080	3" / 80mm	8mm
MPC 0100	1221100	4" / 100mm	8mm

PRODUCT CODE	MF CODE	NOMINAL BORE SIZE	THREAD SIZE 'D'
MSR 015	1223015	3/8" / 15mm	10
MSR 020	1223020	1/2" / 20mm	10
MSR 025	1223025	1" / 25mm	10
MSR 032	1223032	1 1/4" / 32mm	10
MSR 040	1223040	1 1/2" / 40mm	10
MSR 050	1223050	2" / 50mm	10
MSR 065	1223065	2 1/2" / 65mm	12
MSR 080	1223080	3" / 80mm	12
MSR 0100	1223100	4" / 100mm	12
MSR 0125	1223125	5" / 125mm	12
MSR 0150	1223150	6" / 152mm	12

MDR 015	1225015	3/8" / 15mm	10
MDR 020	1225020	1/2" / 20mm	10
MDR 025	1225025	1" / 25mm	10
MDR 032	1225032	1 1/4" / 32mm	10
MDR 040	1225040	1 1/2" / 40mm	10
MDR 050	1225050	2" / 50mm	10
MDR 065	1225065	2 1/2" / 65mm	12
MDR 080	1225080	3" / 80mm	12
MDR 0100	1225100	4" / 100mm	12
MDR 0125	1225125	5" / 125mm	12
MDR 0150	1225150	6" / 152mm	12

# Brass Pipe Clips & Rings

## BRASS SCREW ON PIPE CLIPS



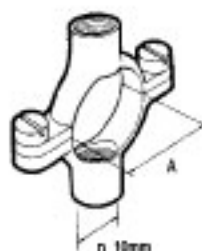
PRODUCT CODE	MF CODE	DIMENSION W
BPC015	1290015	15mm
BPC022	1290022	22mm
BPC028	1290028	28mm
BPC035	1290035	35mm
BPC042	1290042	42mm
BPC054	1290054	54mm
BPC067	1290067	67mm
BPC076	1290076	76mm
BPC108	1290108	108mm



### CHROME PLATED

BPC015CP	1231015	15mm
BPC022CP	1231022	22mm

## BRASS DOUBLE PIPE RINGS



PRODUCT CODE	MF CODE	DIMENSION W
BDR015	1234015	15mm
BDR022	1234022	22mm
BDR028	1234028	28mm
BDR035	1234035	35mm
BDR042	1234042	42mm
BDR054	1234054	54mm
BDR067	1234067	67mm
BDR076	1234076	76mm
BDR108	1234108	108mm

## PRESSED BRASS SCREW ON CLIPS



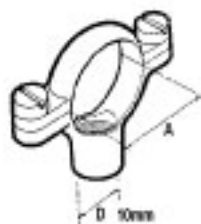
PRODUCT CODE	MF CODE	DIMENSION W
PSC015	1236015	15mm
PSC022	1236022	22mm
PSC028	1236028	28mm
PSC035	1236035	35mm
PSC042	1236042	42mm
PSC054	1236054	54mm

### CHROME PLATED



PSC015CP	1237015	15mm
PSC022CP	1237022	22mm

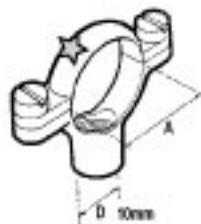
## BRASS SINGLE PIPE RINGS



PRODUCT CODE	MF CODE	DIMENSION W
BSR015	1232015	15mm
BSR022	1232022	22mm
BSR028	1232028	28mm
BSR035	1232035	35mm
BSR042	1232042	42mm
BSR054	1232054	54mm
BSR067	1232067	67mm
BSR076	1232076	76mm
BSR108	1232108	108mm

### CHROME PLATED

BSR015CP	1233015	15mm
BSR022CP	1233022	22mm
BSR028CP	1233028	28mm
BSR035CP	1233035	35mm
BSR042CP	1233042	42mm
BSR054CP	1233054	54mm



## CAST BRASS BACKPLATES M10



PRODUCT CODE	MF CODE	TYPE
BBF10	1238010	Female
BBM10	1238100	Male

### CHROME PLATED

BBF10CP	1239010	Female
BBM10CP	1239100	Male

# RPC Clips

- RPC clip range for the fast, secure fixing of pipework, conduit and cabling
- Installers choice in the Air Conditioning and Refrigeration Industries
- Range of sizes for copper and plastic pipes with or without insulation
- High grade polyamide material giving high strength, non-corrosive properties in a temperature range of -40°C to +140°C

## RPC STUDDING CLIP



- Fast, easy, single handed installation to studding
- Available to fit 8mm and 10mm studding

PRODUCT CODE	MF CODE	SIZE (mm)	STUDDING SIZE	PACK QUANTITY
SC08-15	1271815	15	M8	10
SC08-20	1271820	20	M8	10
SC08-22	1271822	22	M8	10
SC08-25	1271825	25	M8	10
SC08-28	1271828	28	M8	10
SC08-32	1271832	32	M8	10
SC08-35	1271835	35	M8	10
SC08-40	1271840	40	M8	10
SC08-42	1271842	42	M8	10
SC08-50	1271850	50	M8	10
SC08-54	1271854	54	M8	10

10mm studding version to order

## RPC INSULCLIP



- Twist into standard channel sections for quick, rapid installation

PRODUCT CODE	MF CODE	SIZE (mm)	PACK QUANTITY
IC0015	1272015	15	10
IC0020	1272020	20	10
IC0022	1272022	22	10
IC0025	1272025	25	10
IC0028	1272028	28	10
IC0032	1272032	32	10
IC0035	1272035	35	10
IC0040	1272040	40	10
IC0042	1272042	42	10
IC0050	1272050	50	10
IC0054	1272054	54	10

## SIZING TABLE

- For both types of clip

CLIP SIZE	PLUMBING COPPER	IMPERIAL COPPER		
		NO INSULATION	9mm INSULATION	13mm INSULATION
15 mm	15 mm	1/2"	-	-
20 mm		3/4"	-	-
22 mm	22 mm	7/8"	-	-
25 mm		1"	1/4"	-
28 mm	28 mm	1 1/8"	3/8"	-
32 mm		1 1/4"	1/2"	1/4"
35 mm	35 mm	1 3/8"	5/8" & 1/2"	3/8" & 1/2"
40 mm		1 1/2"	3/4"	5/8"
42 mm	42 mm	1 5/8"	1"	3/4"
50 mm		2"	-	7/8"
52 mm	54 mm	2 1/8"	1 1/8"	1 1/8"

# Plastic Pipe Clips etc

## KLIPOK - Single



PRODUCT CODE	MF CODE	SIZE	BOX QTY
PKS15	1242015	15	100
PKS22	1242022	22	*
PKS28	1242028	28	*

## PIPE CLIP SPACER BLOCKS



PRODUCT CODE	MF CODE	SIZE	BOX QTY
KSB15	1243015	15	100
KSB22	1243022	22	100

## KLIPOK - Double



PRODUCT CODE	MF CODE	SIZE	BOX QTY
PKD1515	1242151	15 x 15	50
PKD1522	1242152	15 x 22	50
PKD2222	1242222	22 x 22	50
PKD2828	1242282	28 x 28	50

## PIPE COVERS



PRODUCT CODE	MF CODE	SIZE	BOX QTY
KPC10	1245010	10	50
KPC15	1245015	15	50
KPC22	1245022	22	50
KPC28	1245028	28	50
KPC35	1245035	35	50

## NAIL TYPE PIPE CLIPS



PRODUCT CODE	MF CODE	SIZE	BOX QTY
NPC10	1251010	10	100
NPC15	1251015	15	100
NPC22	1251022	22	100

## PLUMBERS SOLDERING MATS



- Made of heavy woven fibreglass material with brass eyelet for hanging behind pipes

PRODUCT CODE	MF CODE	SIZE	BOX QUANTITY
C/M 300	1256300	12' Square	5

# Talon Pipe Clip System

- Integrated System of pipe clips, cover and accessories for a neat and co-ordinated installation
- Pipe clips manufactured from premium grade polymer for exceptional high and low temperature durability
- All clips can be attached to each others singles can be combined to make doubles
- Spacers increase wall clearance to 25mm for insulating
- Pipe cover is manufactured from high grade white UPVC which has high colour fastness and is self-extinguishing

## SINGLE HINGED CLIPS



PRODUCT CODE	MF CODE	SIZE	PACK QTY
TS 15	1263015	15	100
TS 22	1263022	22	100
TS 28	1263028	28	100

## UNIVERSAL PIPE CLIP SPACER



PRODUCT CODE	MF CODE	PACK QTY
TSP I	1263501	100

## DOUBLE HINGED CLIPS



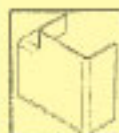
PRODUCT CODE	MF CODE	SIZE	PACK QTY
TD 15	1263215	15	50
TD 22	1263222	22	50

## PIPE COVER



PRODUCT CODE	MF CODE	DESCRIPTION		PACK QTY
CVD 15/2.5	1265215	15mm Double Cover	2.5m	12
CVD 22/2.5	1265222	22mm Double Cover	2.5m	12
CVS 15/2.5	1266215	15mm Single Cover	2.5m	12
CVS 22/2.5	1266222	22mm Single Cover	2.5m	12

## PIPE COVER ACCESSORIES



Flat Corner



Inside Corner



Outside Corner



Side Access



Stop End



Straight Connector



Top Access

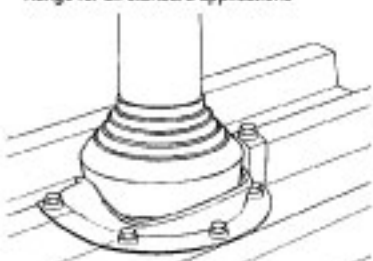
PRODUCT CODE	MF CODE	DESCRIPTION	PACK QTY
AD15FC	1267155	15mm Flat Corner	10
AD15SC	1267152	15mm Straight Connector	10
AD15SE	1267151	15mm Stop End	10
AD15SA	1267157	15mm Side Access	10
AD15TA	1267156	15mm Top Access	10
AD15IC	1267153	15mm Inside Corner	10
AD15OC	1267154	15mm Outside Corner	10

22mm Accessories also available

# Dektite Pipe Flashings

## ROUND BASE

- Range for all standard applications



PRODUCT CODE	MF CODE	TO SUIT PIPE OD'S (mm)	FIXING KIT SELECTION
--------------	---------	------------------------	----------------------

GREY - EPDM RANGE - Suitable for Temperatures -30°C to +115°C

DF101	1281101	5-65	1 x FX901
DF102	1281102	50-75	*
DF103	1281103	5-120	*
DF104	1281104	75-160	*
DF105	1281105	115-195	*
DF106	1281106	125-230	*
DF107	1281107	150-275	*
DF108	1281108	175-325	*
DF109	1281109	250-480	2 x FX901

RED - SILICONE RANGE - Suitable for Temperatures -60°C to +200°C

DF203	1281203	5-120	*
DF204	1281204	75-160	*
DF205	1281205	115-195	*
DF206	1281206	125-230	*
DF207	1281207	150-275	*
DF208	1281208	175-325	*
DF209	1281209	250-480	2 x FX901

## MINI DEKTITE



- Grey EPDM - suitable for wires, cables or pipes up to 35mm diameter.

PRODUCT CODE	MF CODE	TO SUIT PIPE OD'S (mm)	FIXING KIT SELECTION
--------------	---------	------------------------	----------------------

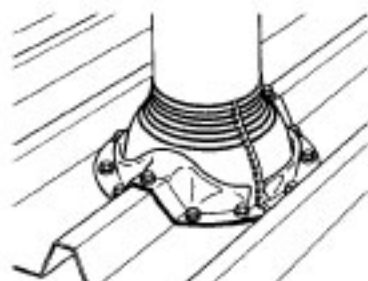
DF100	1281300	0-35	1 x FX901
-------	---------	------	-----------

## DEKTITE FIXING KIT

PRODUCT CODE	MF CODE	DESCRIPTION
--------------	---------	-------------

FX901	1281901	Single Fixing Kit
FX902	1281902	Double Fixing Kit

## RETROFIT FLASHINGS



- Suitable for repairing around failed flashings or as original flashing in awkward applications where other Dektite may not be suitable.

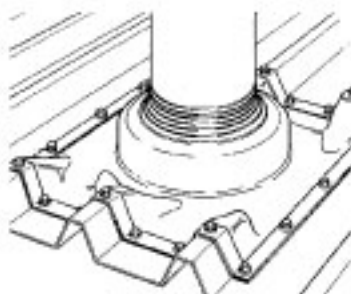
PRODUCT CODE	MF CODE	TO SUIT PIPE OD'S (mm)	FIXING KIT SELECTION
--------------	---------	------------------------	----------------------

GREY - EPDM RANGE - Suitable for Temperatures -30°C to +115°C

RF801	1281801	20-70	1 x FX901
RF802	1281802	15-190	*
RF803	1281803	85-255	*

## SOAKER FLASHINGS

- Eliminates damming effect between ribs and caters for pipes 75-610mm dia. on roof pitches up to 20°, on profiled sheets up to 40mm depth of corrugation.



PRODUCT CODE	MF CODE	TO SUIT PIPE OD'S (mm)	FIXING KIT SELECTION
--------------	---------	------------------------	----------------------

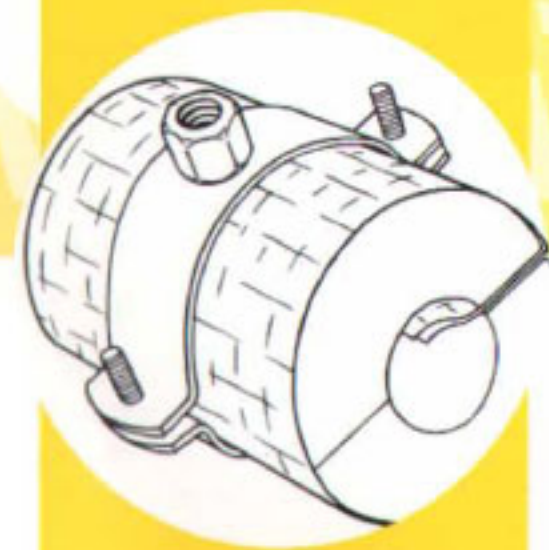
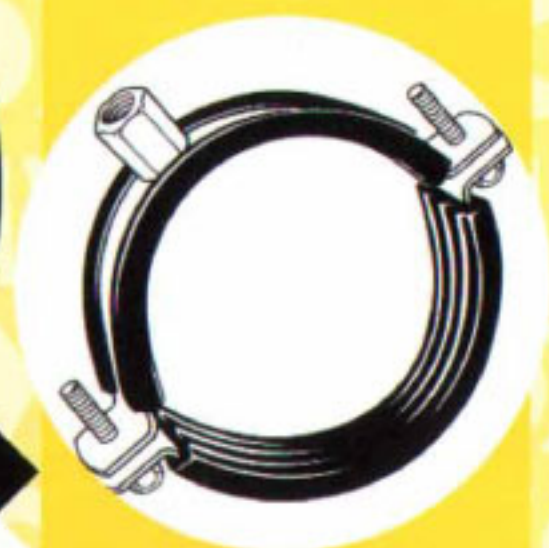
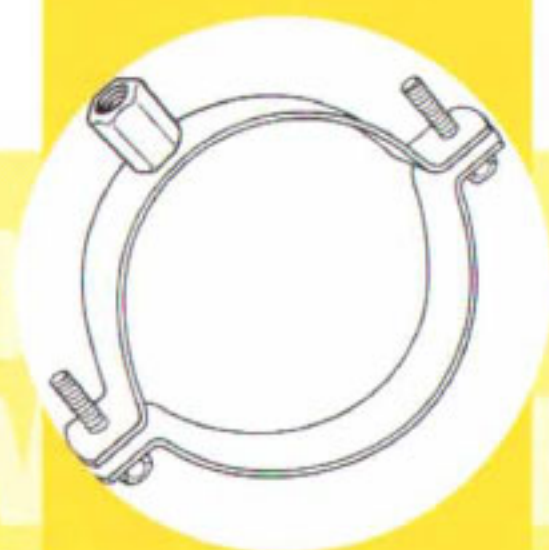
GREY - EPDM RANGE - Suitable for Temperatures -30°C to +115°C

DF602	1281602	75-155	1 x FX901
DF603	1281603	114-254	*
DF605	1281605	254-410	*
DF606	1281606	410-610	2 x FX902

RED - SILICONE RANGE - Suitable for Temperatures -60°C to +200°C

DF702	1281702	75-155	1 x FX901
DF703	1281703	114-254	*
DF705	1281705	254-410	*

Stock items priced in bold



**QWIKLINE Pipe Support System**  
Telephone 0115 922 1585